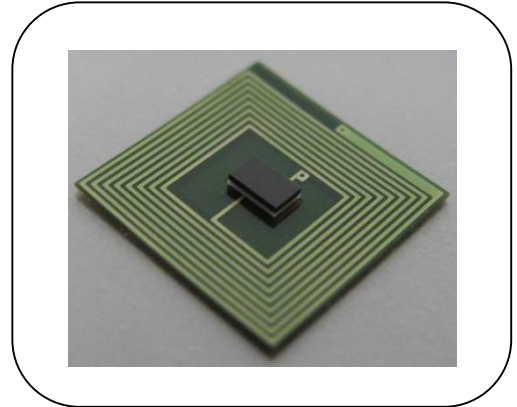


# HF MAGICSTRAP® Preliminary Data Sheet LXMSAPHA17-176



## 1. General Descriptions

HF MAGICSTRAP® is a small size HF band RFID IC module, including embedded antenna. This complies with ISO14443/NFC Forum Type2 standard. It can be used globally with high performance even in small form factor.

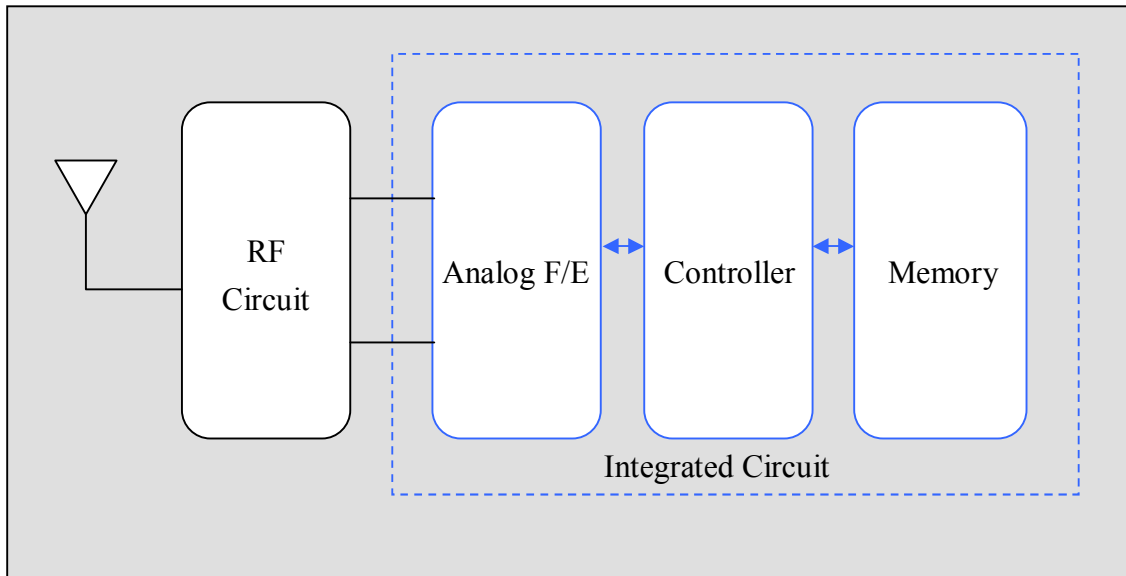


### [Features]

- ISO14443/NFC Forum Type2 Compliance
- Operating frequency of 13.56MHz
- Embedded antenna
- Using NXP NTAG213, 1152bit user memory
- Small package (8.3X8.3X0.7mm typ.)
- Completely green material and RoHS Compliant.
- Bi-adhesive on the back size.

## 2. Block Diagram

Figure.1 shows block diagram.



All Rights Reserved, Copyright© Murata Manufacturing Co., Ltd.  
Tentative/Confidential

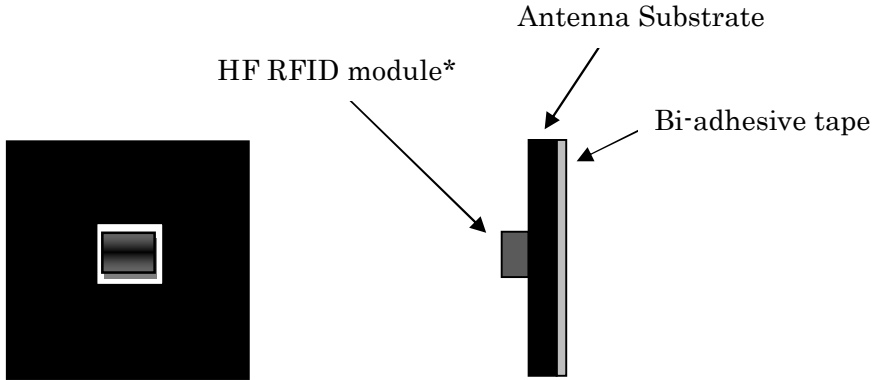
# HF MAGICSTRAP® Preliminary Data Sheet LXMSAPHA17-176



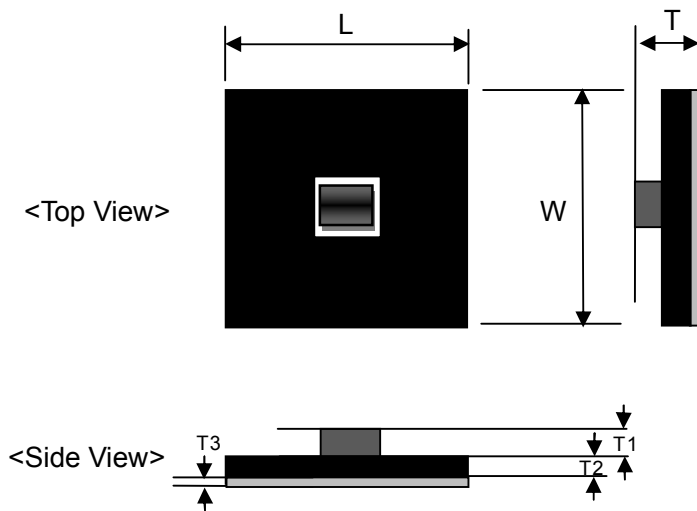
## 3. Mechanical Information

### 3-1. Construction and Dimension

[Construction]



[Dimension]



[mm]

Mark	Dimensions
L	8.3±0.2
W	8.3±0.2
T	0.70 typ. / 0.80 max
T1	0.45 typ.
T2	0.15 typ.
T3	0.10 typ.

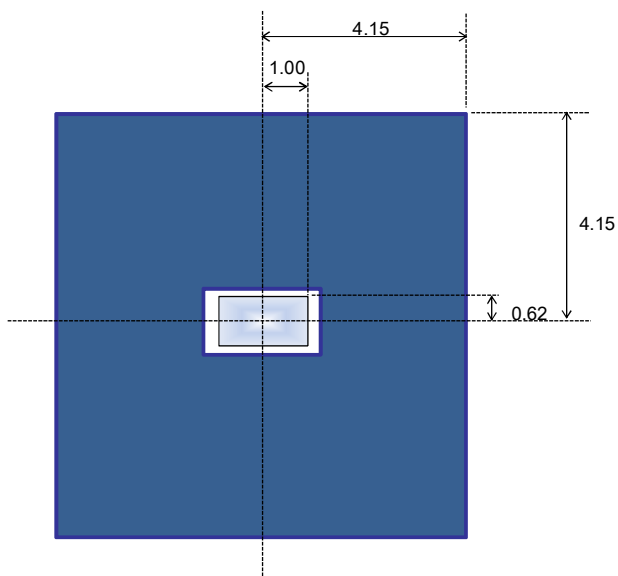
Fig.2 Package Dimension

All Rights Reserved, Copyright© Murata Manufacturing Co., Ltd.  
Tentative/Confidential

# HF MAGICSTRAP® Preliminary Data Sheet LXMSAPHA17-176



[Drawing]



## **4. Electrical performance**

### **4-1. Reading range (reference only)**

25mm\*

\*Reader/Writer : TI TRF7960 Reference Board

Reader/Writer antenna : 37x54mm on TI TRF7960 Reference Board

Output Power of Reader/Writer : 200mW

## **5. Operating Temperature**

-40degC ~ +70degC

## **6. RoHS compliance**

This product is compliant with RoHS directive

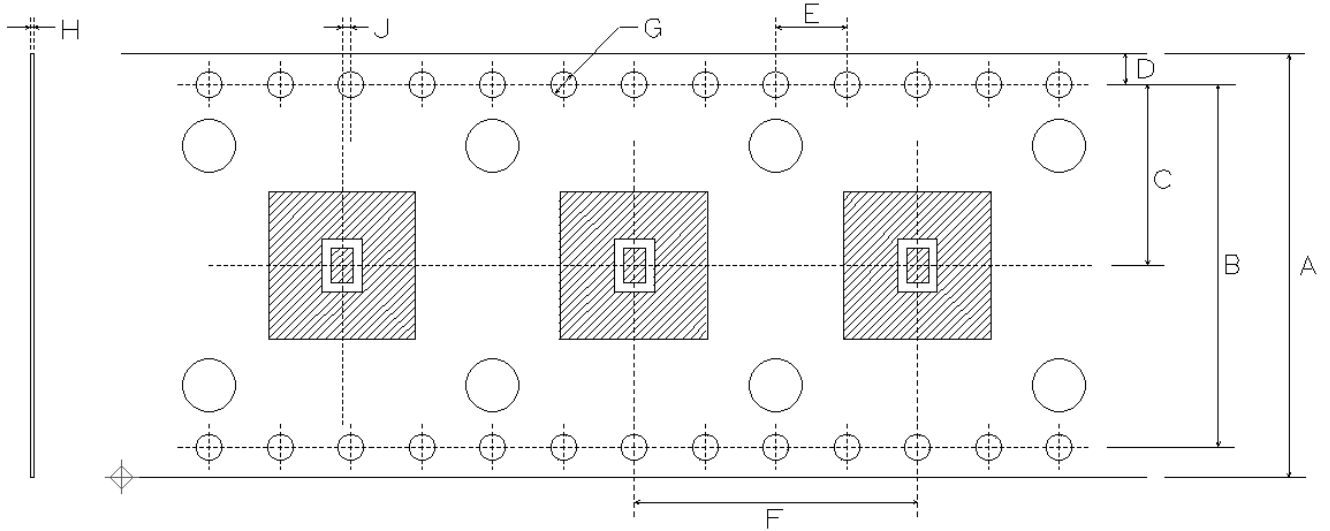
All Rights Reserved, Copyright© Murata Manufacturing Co., Ltd.  
Tentative/Confidential

# HF MAGICSTRAP® Preliminary Data Sheet LXMSAPHA17-176



## 7. Packing Information

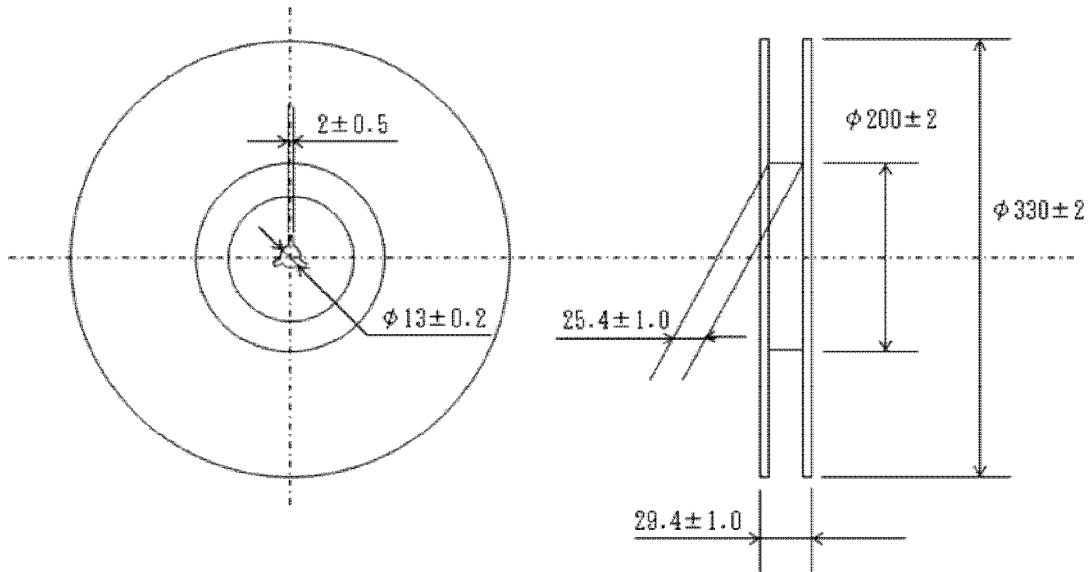
(1) Tag position on carrier sheet



Unit : [mm]

Mark	Dimension	Mark	Dimension
A	$24.0 \pm 0.3$	F	$16.0 \pm 0.4$
B	$20.5 \pm 0.1$	G	$\phi 1.5 \pm 0.1$
C	$10.25 \pm 0.5$	H	$0.08 \pm 0.03$
D	$1.75 \pm 0.1$	J	$0.0 \pm 0.5$
E	$4.0 \pm 0.1$		

(2) Dimension of Reel

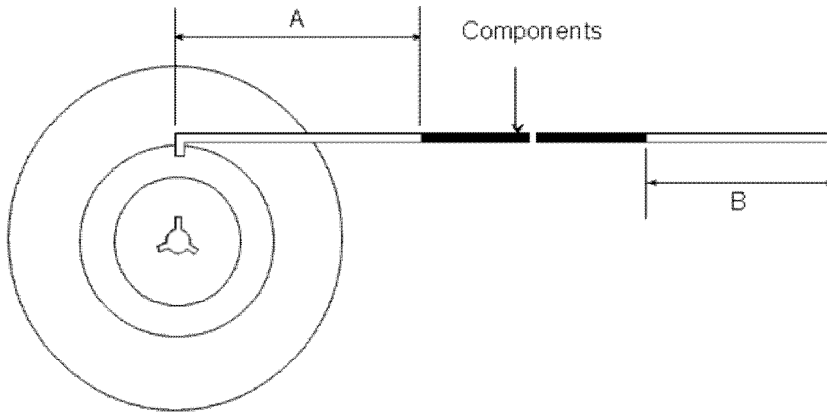


All Rights Reserved, Copyright© Murata Manufacturing Co., Ltd.  
Tentative/Confidential

**HF MAGICSTRAP® Preliminary Data Sheet  
LXMSAPHA17-176**



(3) Leader and Tail tape



Mark	Items	Minimum length (mm)
A	Tail	800-900
B	Leader no cover tape	1900-2000

(4) Packaging unit : 2500 pcs/Reel

(5) Material :     Base tape .....PET  
                  Reel.....Plastic

**8. Contents**

8-1) This document is tentative version. The content is under development for improvement and may subject to change without notice. When we submit specification and/or approval sheet, these document should replace this technical data.

8-2) " MAGICSTRAP® " is the registered trademark of Murata Manufacturing. Co., Ltd. in Japan.

For any inquiries/queries, please feel free to contact us.

**All Rights Reserved, Copyright© Murata Manufacturing Co., Ltd.  
Tentative/Confidential**